

DH-SD65220/230/S220-HNI

2Mp Full HD 20x/30x Network Auto-Tracking PTZ Dome Camera



Features

- Powerful 20x/30x optical zoom
- H.264 & MJPEG Three-stream encoding
- Max 60fps@720P and 30fps@1080P resolution
- Defog(220/230), DWDR(WDR), Day/Night(ICR), Ultra DNR, EIS(220/230), Auto iris, Auto focus
- Multiple network monitoring: Web viewer, CMS(DSS/PSS) & DMSS
- Max 400 °/s pan speed, 360° endless pan rotation
- Up to 255 presets, 5 auto scan, 8 tour, 5 pattern
- Built-in 7/2 alarm in/out
- Support Auto tracking and IVS
- Support intelligent 3D positioning with DH-SD protocol
- Micro SD memory, IP67, easy installation

DH-SD65220/230/S220-HNI

Technical Specifications

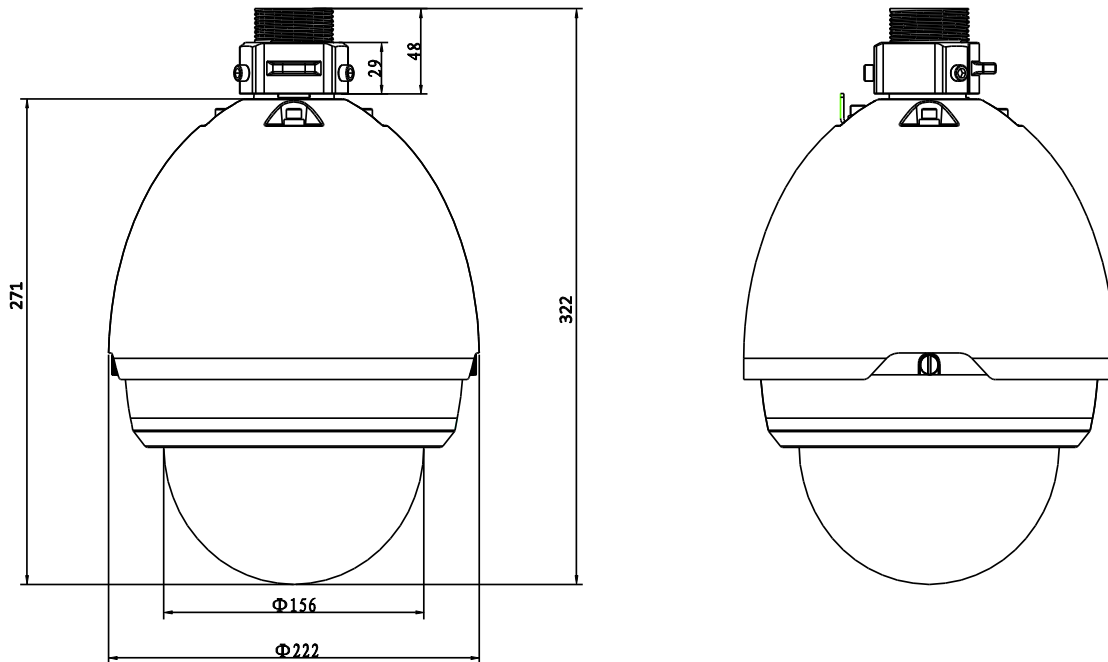
Model	DH-SD65220-HNI	DH-SD65230-HNI	DH-SD65S220-HNI
Camera			
Image Sensor	1/2.8" Exmor CMOS		
Effective Pixels	1944(H) x 1092(V), 2 Megapixels		
Scanning System	Progressive		
Electronic Shutter Speed	1/1 ~ 1/30,000s		
Min. Illumination	Color: 0.05Lux@F1.6,B/W: 0.005Lux@F1.6	Color: 0.5Lux@F1.6; B/W: 0.095Lux@F1.6	
S/N Ratio	More than 50dB		
Video Output	BNC(1.0Vp-p/75Ω), PAL / NTSC		
Camera Features			
Day/Night	Auto(ICR) / Color / B/W		
Backlight Compensation	BLC / HLC / DWDR (Digital WDR)	BLC / HLC / WDR	
White Balance	Auto, ATW, Indoor, Outdoor, Manual		
Gain Control	Auto / Manual		
Noise Reduction	Ultra DNR (2D/3D)		
Privacy Masking	Up to 24 areas		
Digital Zoom	16x	12x	
Defog	On / Off	N/A	
Lens			
Focal Length	4.7mm ~ 94.0mm (20x Optical zoom)	4.3mm~129mm (30x Optical zoom)	4.7mm~94.0mm(20x Optical zoom)
Max Aperture	F1.6 ~ F3.5	F1.6 ~ F4.7	F1.6 ~ F3.5
Focus Control	Auto / Manual		
Angle of View	H: 55.4° ~ 2.80°	H: 65.1° ~ 2.34°	H: 55.4° ~ 2.90°
Close Focus Distance	10mm ~ 1000mm	10mm ~ 1200mm	10mm~ 800mm
PTZ			
Pan/Tilt Range	Pan: 0° ~ 360° endless; Tilt: -2° ~ 90°, auto flip 180°		
Manual Control Speed	Pan: 0.1° ~ 300°/s; Tilt: 0.1° ~250°/s		
Preset Speed	Pan: 400°/s; Tilt: 300°/s		
Preset	80		
PTZ Mode	5 Pattern, 8 Tour, Auto Pan, Auto Scan		
Speed Setup	Human-oriented focal length/ speed adaptation		
Power up Action	Auto restore to previous PTZ and lens status after power failure		
Idle Motion	Activate Preset/Pan/Scan/Tour/Pattern if there is no command in the specified period		
Time Task	Auto activation of Preset/Pan/Scan/Tour/Pattern by preset-time		
Protocol	DH-SD		
Video			
Compression	H.264 / MJPEG		

DH-SD65220/230/S220-HNI

Resolution		1080P(1920×1080)/ 720P(1280×720) / D1(704×576/704×480) / CIF(352×288/352×240)
Frame Rate	Main Stream	1080P (1 ~ 25/30fps) / 720P(1~50/60fps)
	Sub Stream	D1/CIF(1 ~ 25/30fps)
Bit Rate		H.264: 56K ~ 8192Kbps, MJPEG: 56K ~ 20480Kbps
Audio		
Compression		G.711a / G.711u (32kbps) / PCM (128kbps)
Interface		1/1 channel In/Out
Intelligent Function		
Auto Tracking		Single-scene, multiple-scene, panorama-scene
IVS		Tripwire, Cross Warning Zone, Perimeter Protection, Loitering Detection, Abandoned Object Detection, Missing Object Detection, Illegal Parking, Fast Moving and etc.
Tracking Trigger Mode		Manual / Auto (alarm triggered)
Tracking Trigger Event		Targeting, Zoom, Tracking, Recording, Snapshot, Alarm and etc.
Network		
Ethernet		RJ-45 (10/100Base-T)
Protocol		IPv4/IPv6, HTTP, HTTPS, SSL, TCP/IP, UDP, UPnP, ICMP, IGMP, SNMP, RTSP, RTP, SMTP, NTP, DHCP, DNS, PPPOE, DDNS, FTP, IP Filter, QoS, Bonjour
ONVIF		ONVIF Profile S
Max. User Access		20 users
Smart Phone		iPhone, iPad, Android, Windows Phone
Auxiliary Interface		
Memory Slot		Micro SD, Max 64GB
Alarm		7/2 channel In/Out
General		
Power Supply		AC 24V/3A (±10%)
Power Consumption		20W, 45W(Heater on)
Working Environment		-40°C ~ 60°C / Less than 90% RH
Ingress Protection		IP67
Vandal Resistance		IK10 (optional)
Dimensions		Φ222(mm) x 322(mm)
Weight		5.0kg

DH-SD65220/230/S220-HNI

Dimensions (mm)



Accessories

DH-69FB	DH-PFA111	Power Supply

DH-SD65220/230/S220-HNI

Accessories (Optional)

			
DH-PFB300C	DH- PFB301C	DH-PFA112	DH-PFA113
			
DH-PFB301S	DH-PFA120	DH-PFA150	DH-PFA151

Dahua Technology Co., Ltd.

1187 BinAn Road, Binjiang District, Hangzhou, China

Tel: +86-571-87688883

Fax: +86-571-87688815

Email: overseas@dahuatech.com

www.dahuatech.com

*Design and specifications are subject to change without notice.

© 2013 Dahua Technology Co., Ltd.